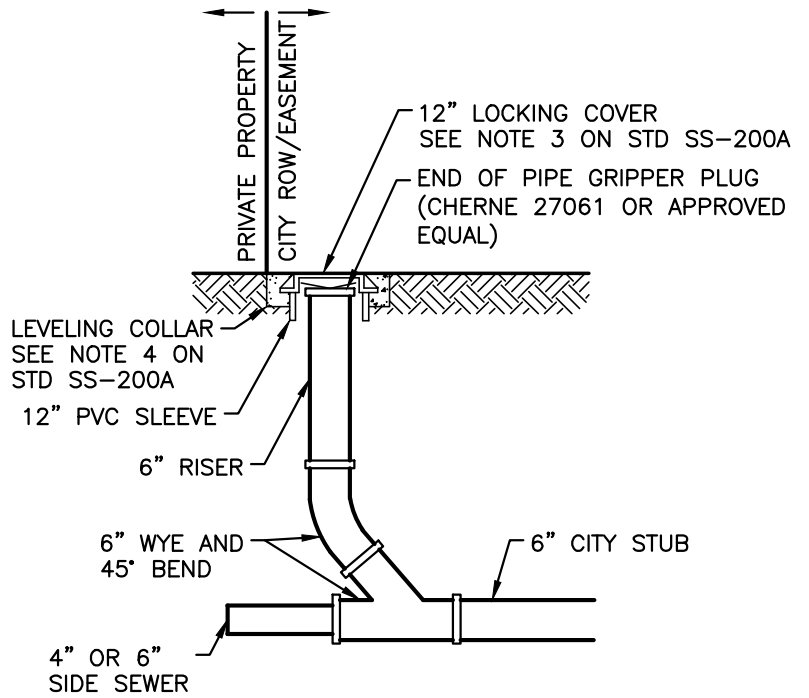
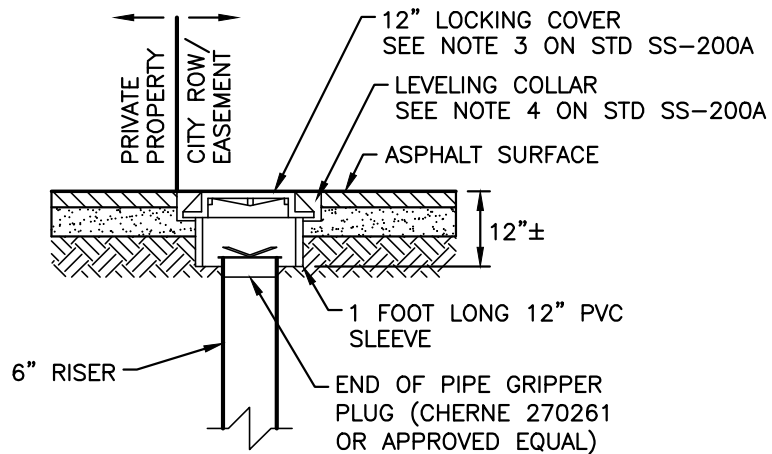


**GENERAL ONE-WAY CLEANOUT DETAIL**



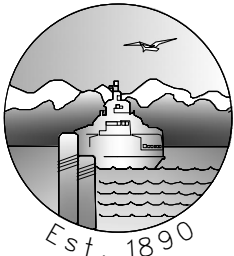
**CLEANOUT DETAIL  
AT PROPERTY LINE/CITY EASEMENT**



**TYPICAL ONE-WAY CLEANOUT  
UNDER ASPHALT OR CONCRETE**

**NOTE:**

SEE COE STD SS-200A FOR ADDITIONAL REQUIREMENTS.



**CITY OF EDMONDS**  
PUBLIC WORKS  
DEPARTMENT

**ONE-WAY SEWER  
CLEANOUT DETAIL**

APPROVED BY: R. ENGLISH

REVISION DATE  
MARCH 2024

STANDARD  
DETAIL  
SS-200B